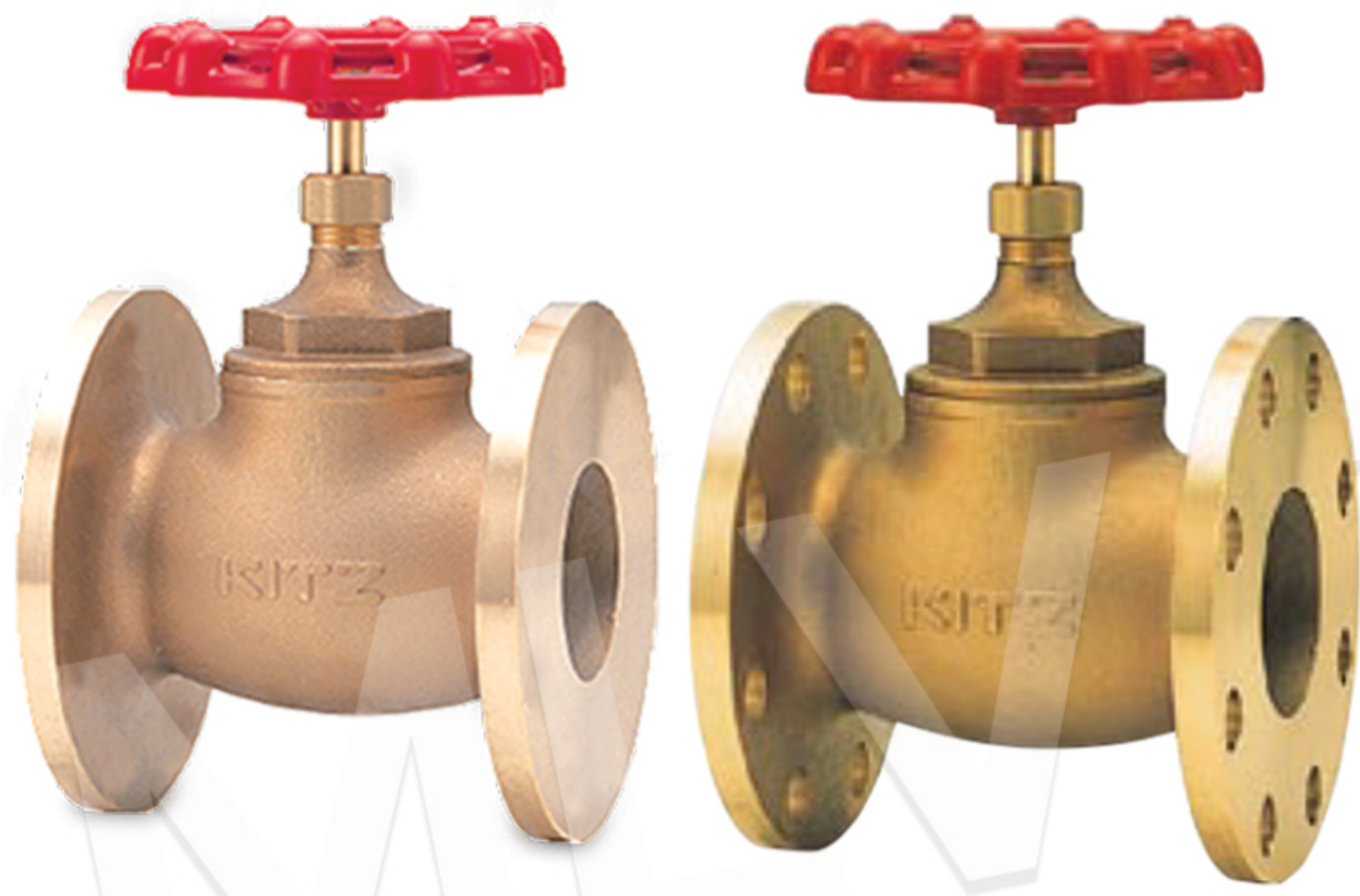


# CLASS 150

# BRONZE GLOBE VALVE

Screwed Bonnet, Rising Stem  
Flanged ends drilled or undrilled optionally.

W.O.G. non-shock 1.55 MPa (225 psi), Saturated steam pressure 1.03 MPa (150 psi)

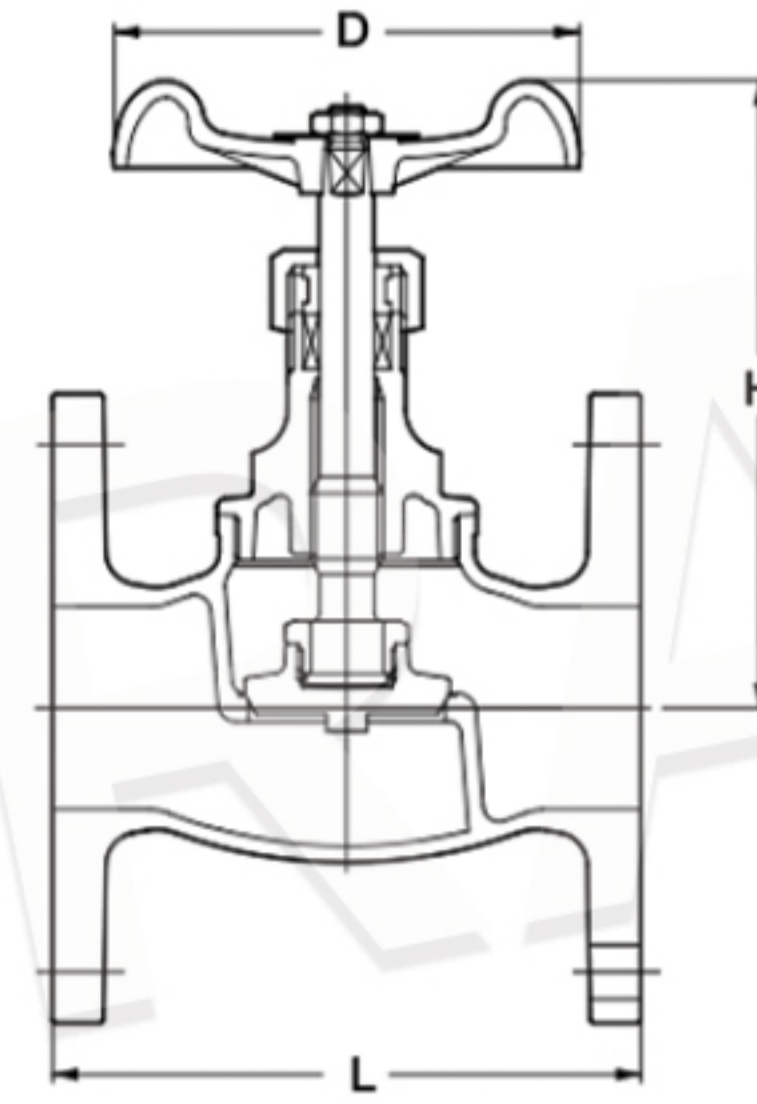


**Fig. B**

- Undrilled unless drilling is specified as an option

**Fig. BH**

- Drilled according to JIS 10K



### Materials

Parts	Material
Body	Bronze
Bonnet	Brass/Bronze*
Stem	Dezincification Resistant Brass
Disc	Bronze
Gland Packing	Aramid Fibers Graphite

\*Size 3 and 4

⚠ Don't use for Flammable gas or Toxic gas.

### Dimensions

Nominal Size	mm									
	inch	1/2	3/4	1	1 1/4	1 1/2	2	2 1/2	3	4
L		83	88	100	113	120	145	165	177	220
H valve open		79	94	105	127	145	174	198	215	250
D		60	70	80	90	100	115	135	155	180

\*Shall not be in accordance with JIS B 2240